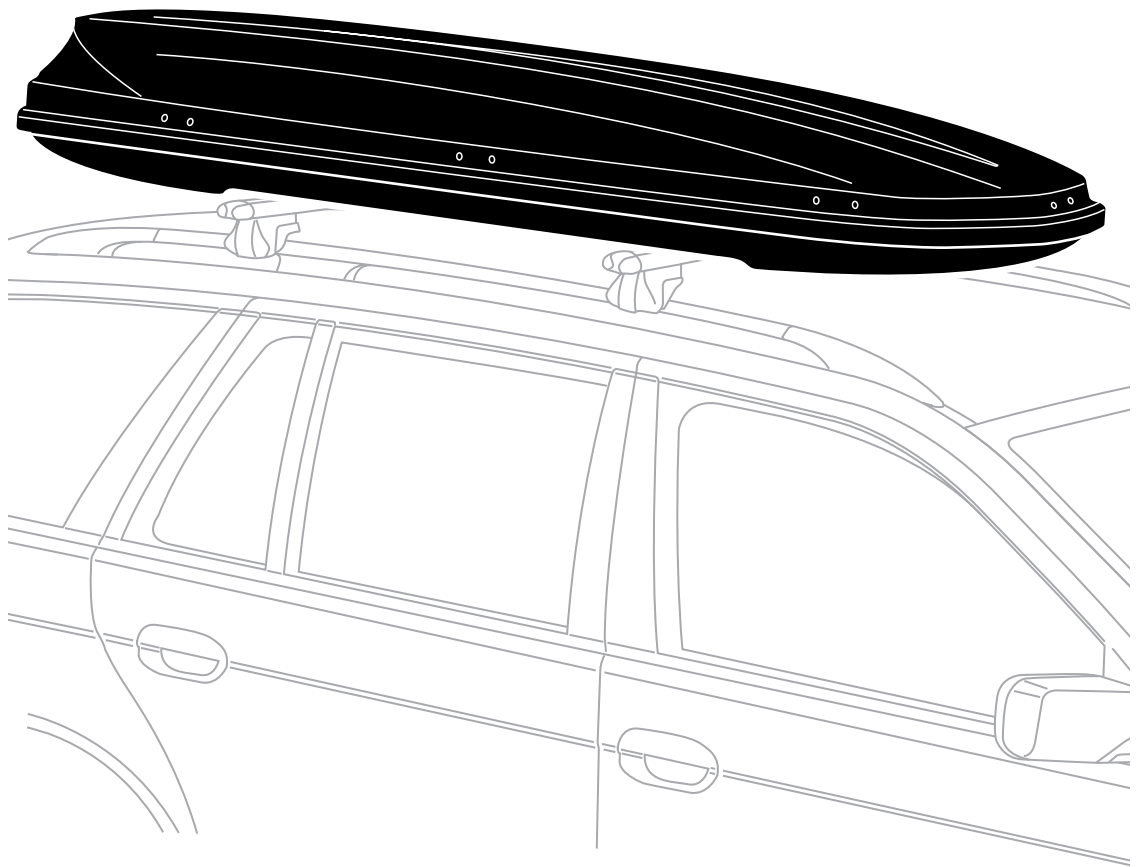
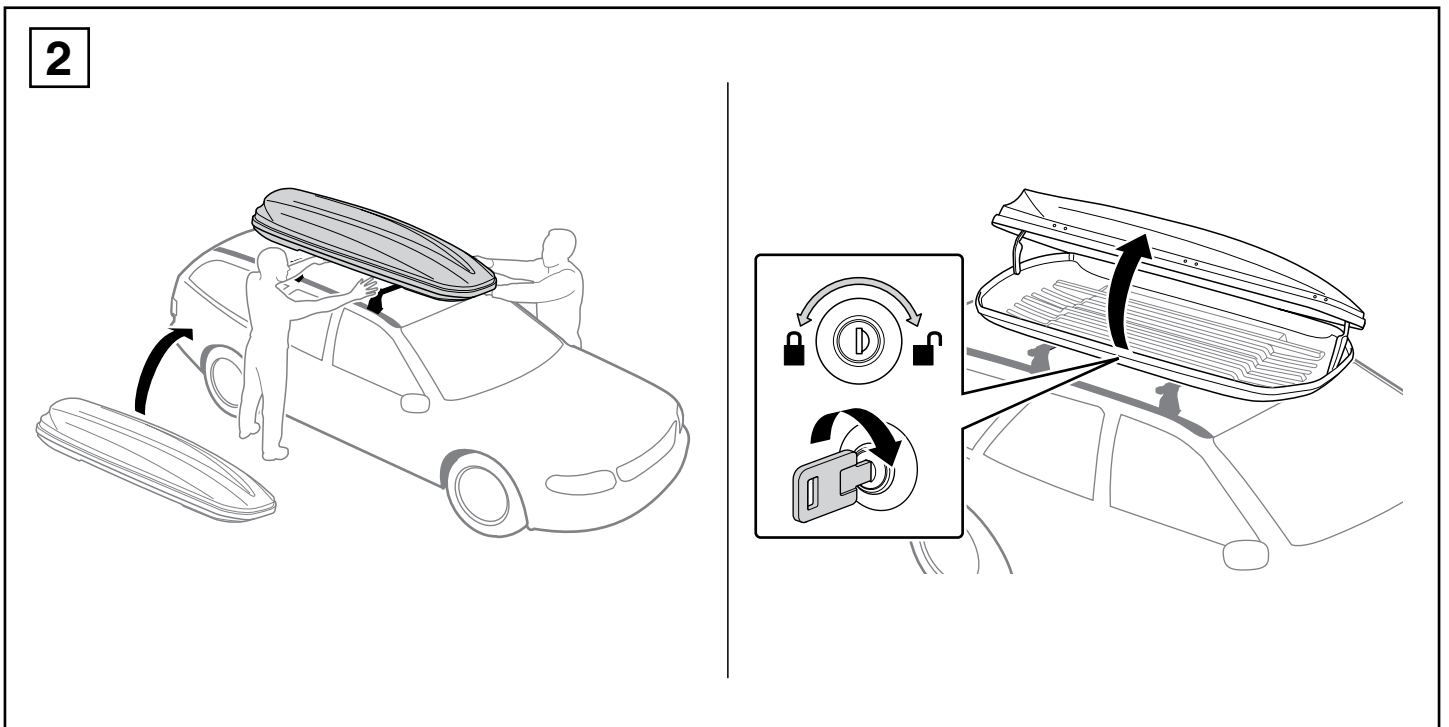
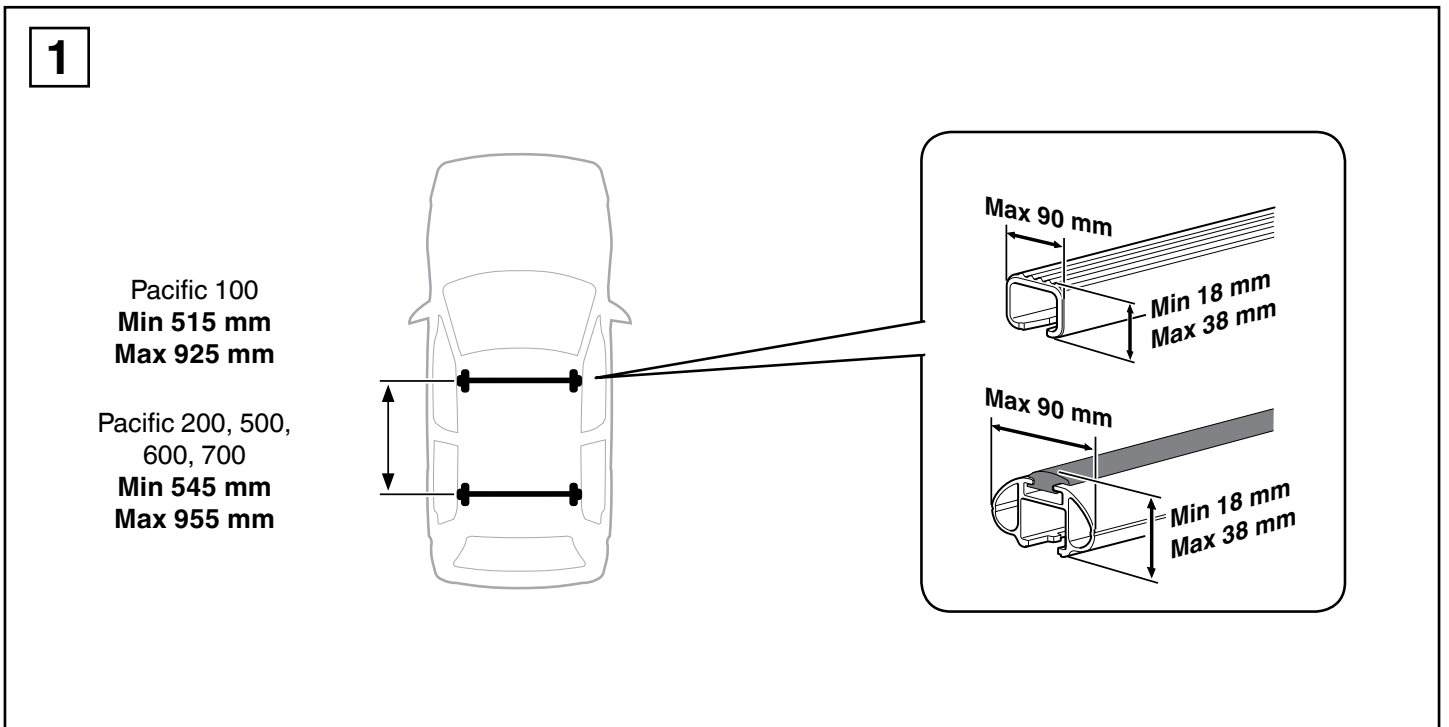
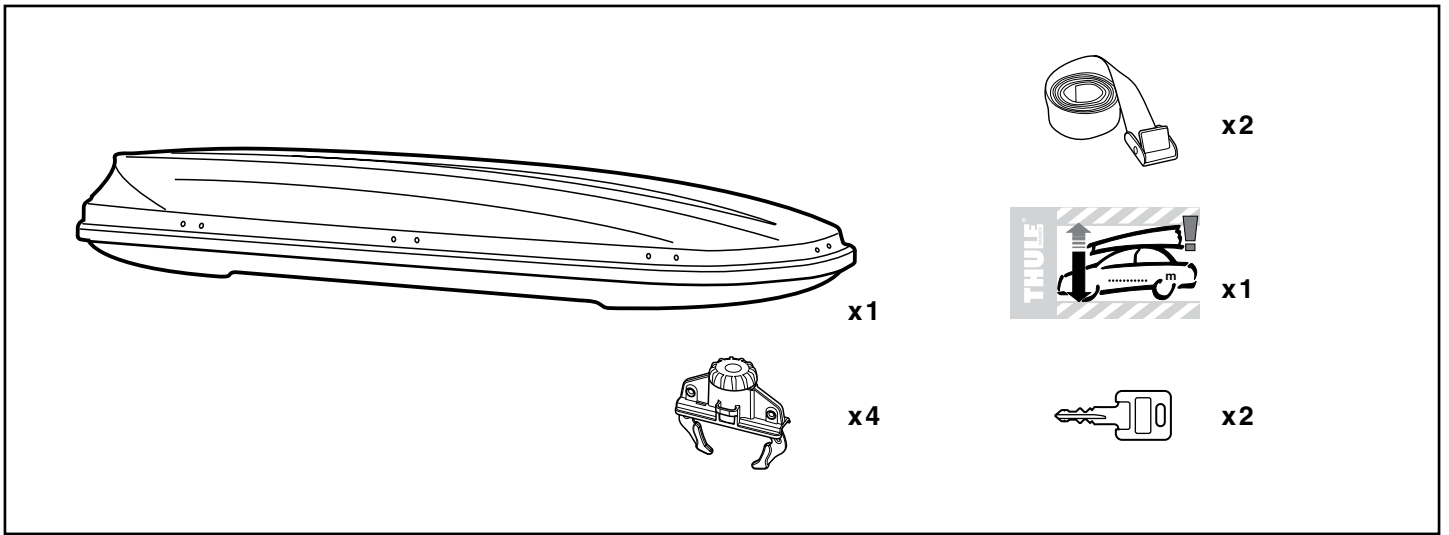


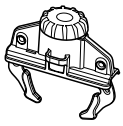
# Instructions

# Pacific

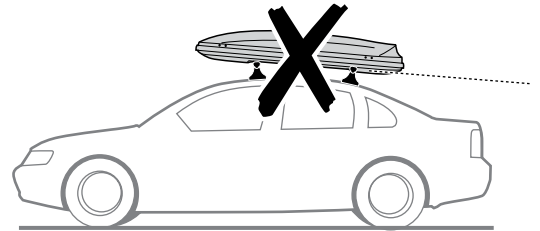
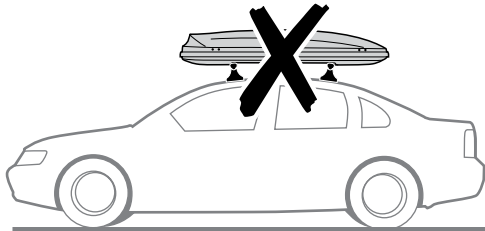
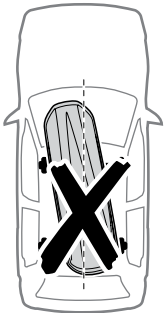
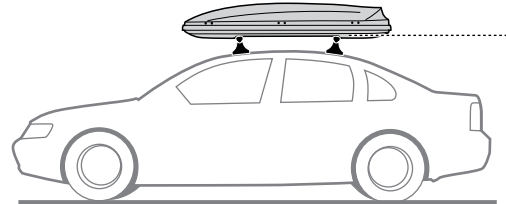
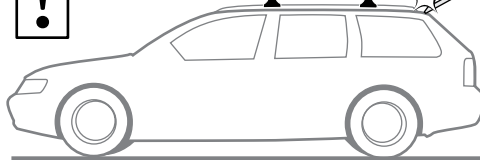
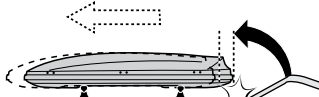
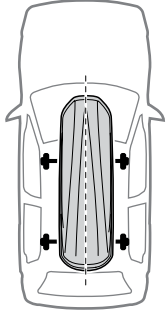
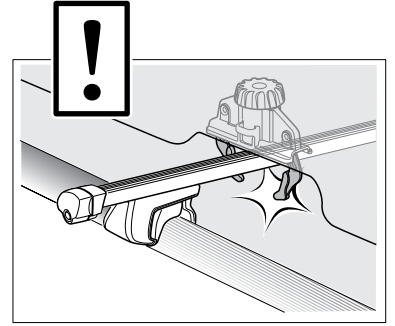
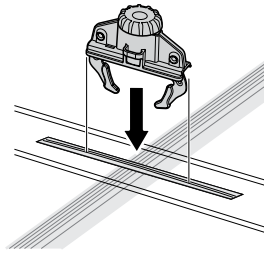
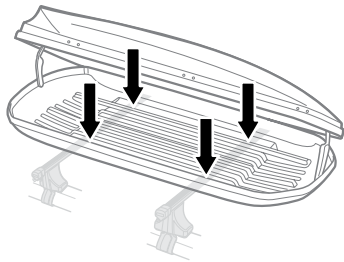




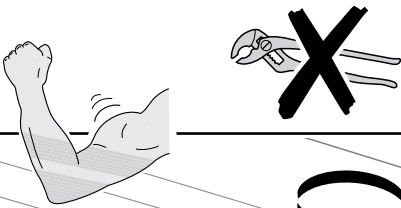
3



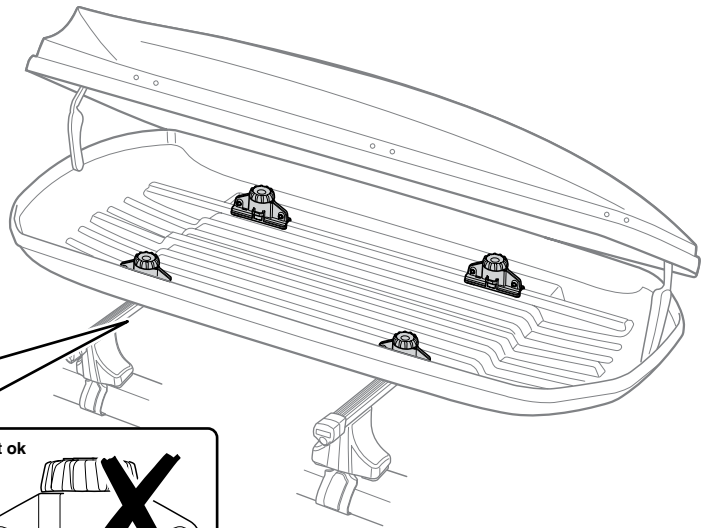
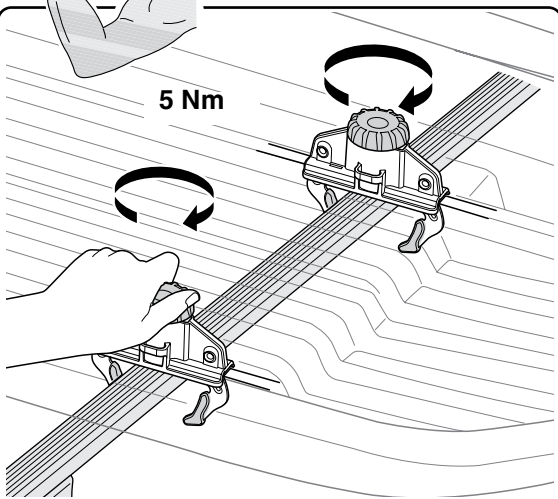
x4



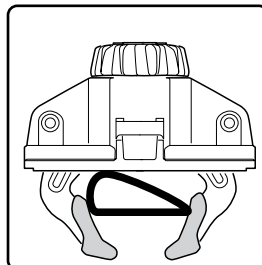
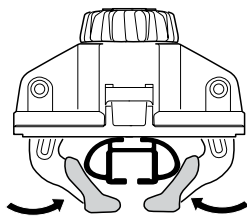
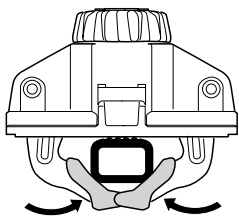
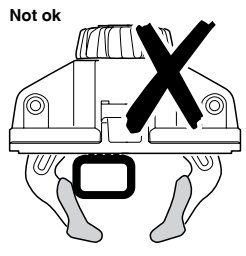
4



5 Nm



Not ok



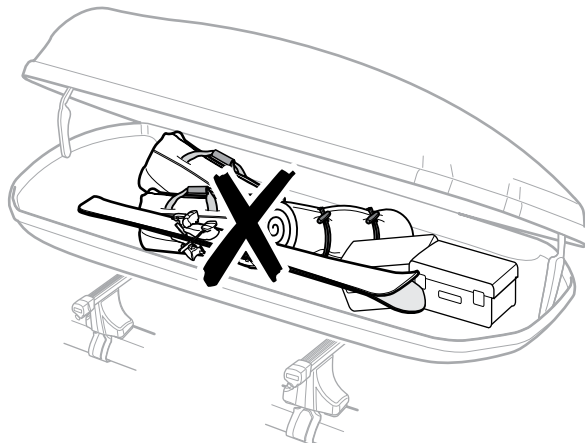
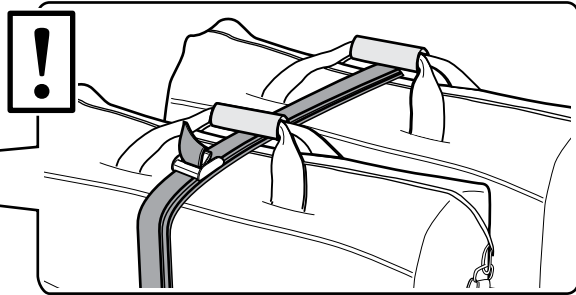
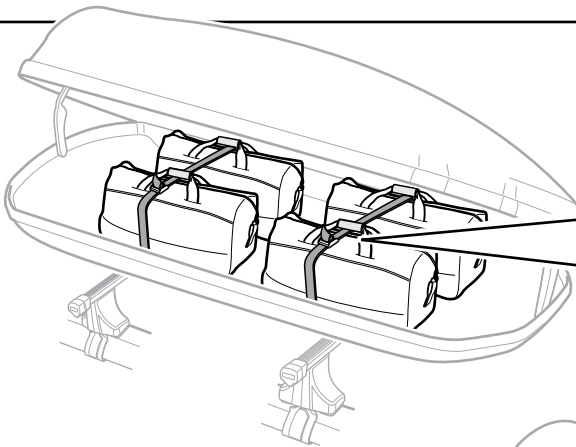
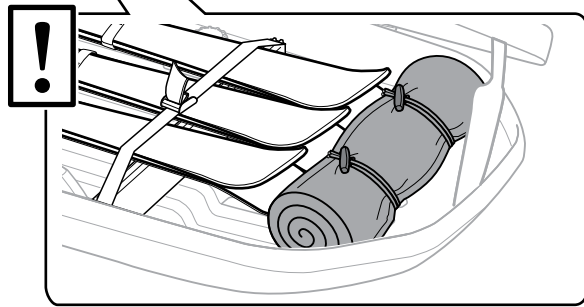
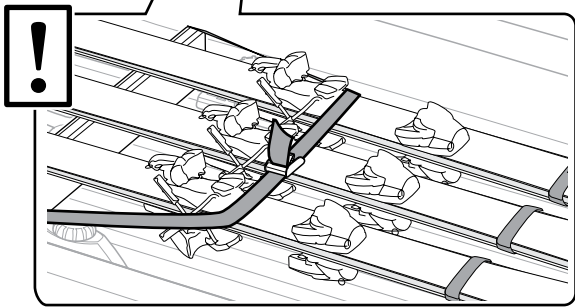
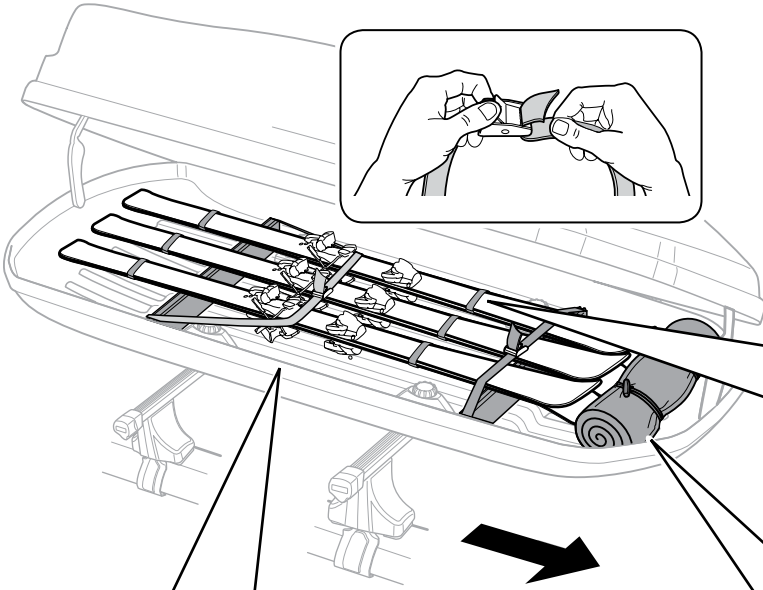
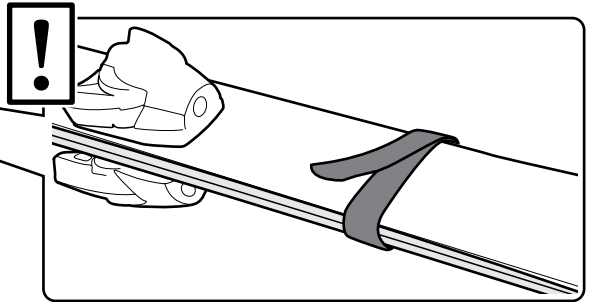
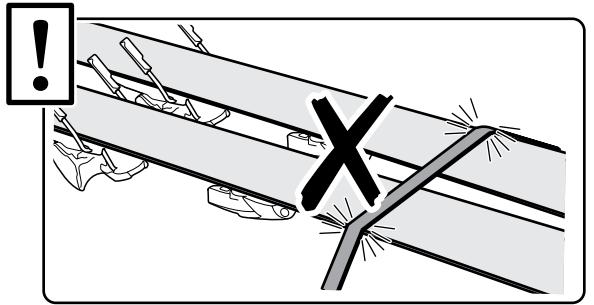
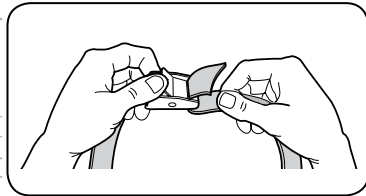
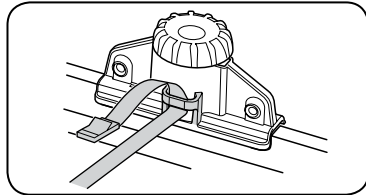
**i** Thule T-Nut Adapter

**696400**  
**697400**

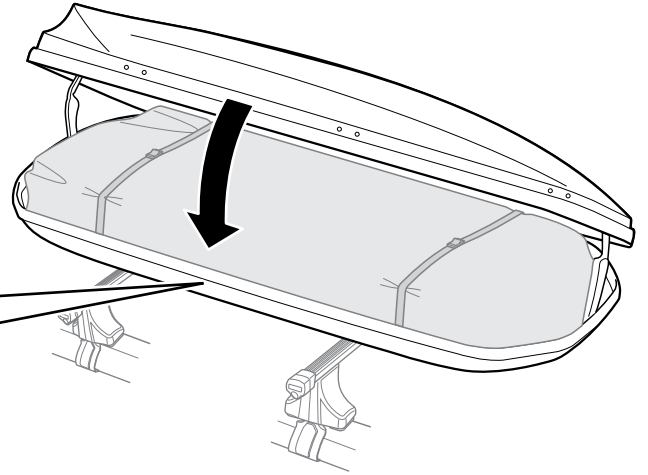
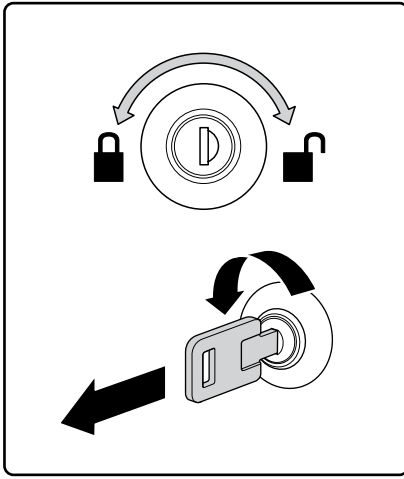
5



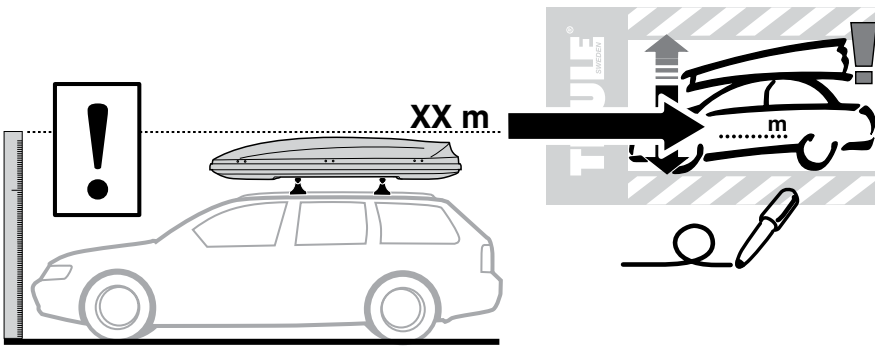
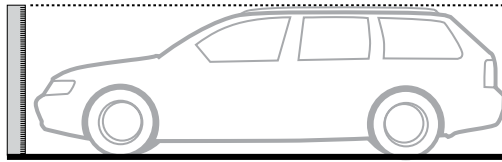
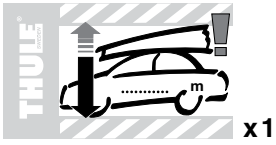
x2



6



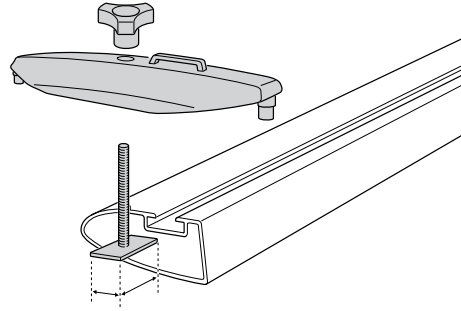
7



**i** Thule T-Nut Adapter

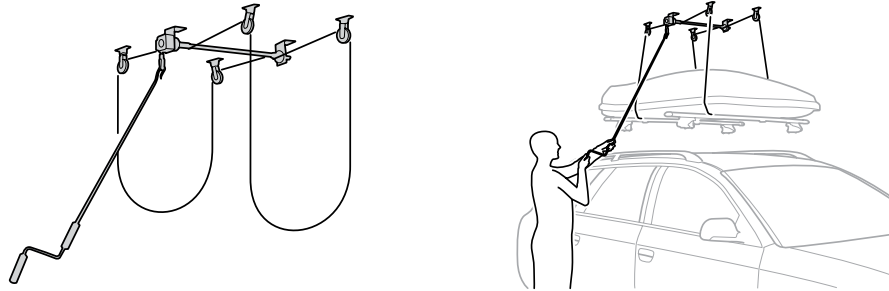
**696400** → 24x30 mm

**697400** → 20x20 mm



**i** Thule Boxlift

**571000**



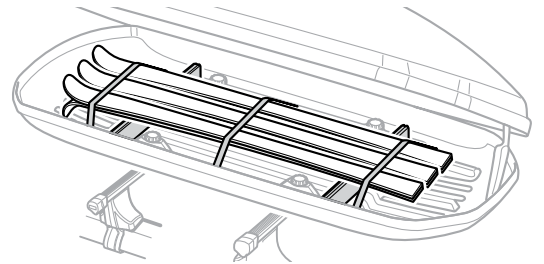
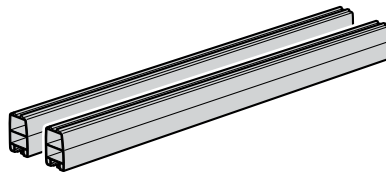
**i** Thule Skicarrier

**694800** → Pacific: 200

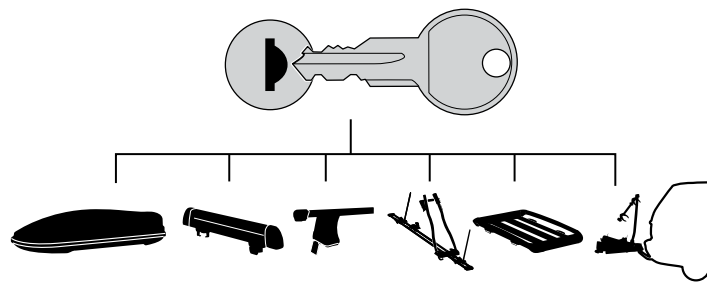
**694500** → Pacific: 500

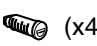
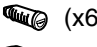


**694600** → Pacific: 600

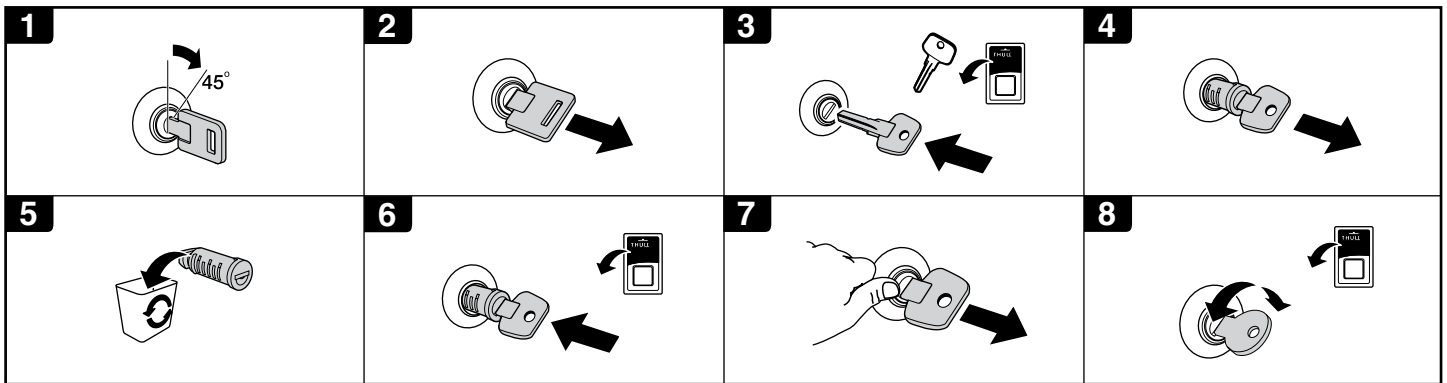
**694700** → Pacific: 700



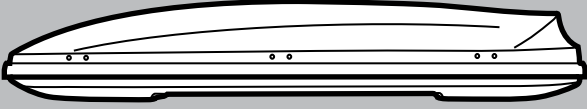
**THULE**  
SWEDEN  
**ONE  
KEY  
SYSTEM**



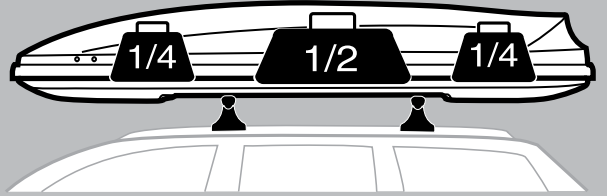
- 544**  (x4)
- 596**  (x6)
- 588**  (x8)
- 452**  (x12)







Pacific 100: 12 kg  
Pacific 200: 14 kg  
Pacific 500: 12 kg  
Pacific 600: 13 kg  
Pacific 700: 15 kg



Max 50 kg

i

